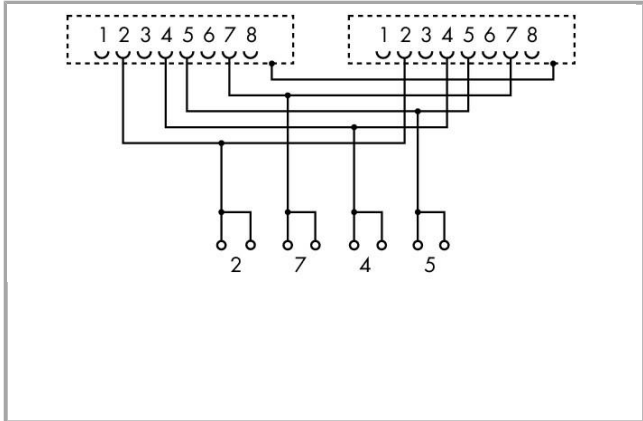
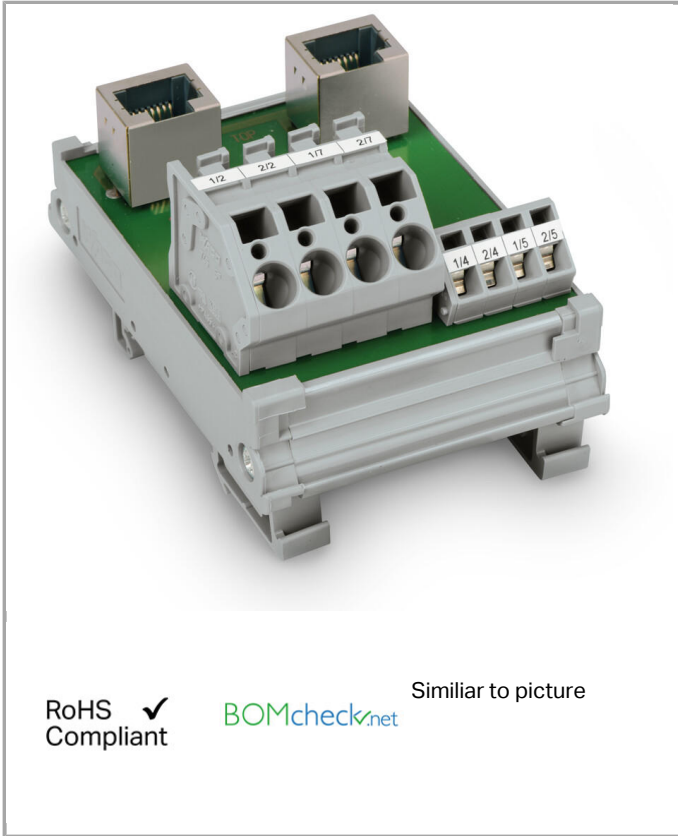


Data sheet | Item number: 289-965
Interface module with RJ-45 connectors



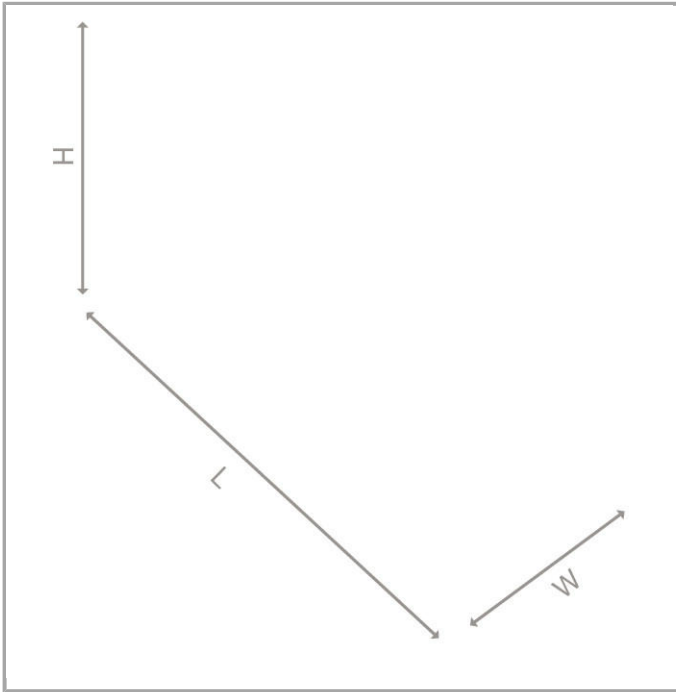
289-965



RoHS 
Compliant



Similar to picture



Item description

Short description:

Compatible on the field side with the 789-620, 789-621 and 789-622 Current Sensors.

Required terminal assignment:

2: + Supply

7: - Supply

4: D+

5: D-

Data

Electrical data

Nominal current	1.5 A
Insulation resistance	$\geq 500 \text{ M}\Omega$

Safety and protection:

Dielectric strength contact-contact (AC, 1 min)	0.5 kVrms
---	-----------

Connection data

No. of poles	4
Connection type (1)	System



No. of poles 1	4
Pluggable connector	2 x RJ-45 shielded
Connection type (2)	Clamping units 2, 7
No. of poles 2	4
Design 2	PCB terminal blocks
Connection technology 2	CAGE CLAMP®
WAGO terminal 2	WAGO 236 Series
Solid conductor (2)	0.08 ... 2.5 mm ² / 28 ... 12 AWG
Strip length (2)	5 ... 6 mm / 0.2 ... 0.24 inch
Connection type (3)	Clamping units 4, 5
No. of poles 3	2
Design 3	PCB terminal blocks
Connection technology 3	CAGE CLAMP®
WAGO terminal 3	WAGO 745 Series
Solid conductor (3)	0.2 ... 6 mm ² / 24 ... 10 AWG
Fine-stranded conductor (3)	0.2 ... 6 mm ² / 24 ... 10 AWG
Strip length (3)	11 ... 12 mm / 0.43 ... 0.47 inch
Note (conductor cross-section)	12 AWG: THHN, THWN
Mating cycles	500
Connecting cable	assembled RJ-45 cable (recommended: UTP)

Geometrical Data

Width	58 mm / 2.283 inch
Height from upper-edge of DIN-35 rail	40 mm / 1.575 inch
Depth	85 mm / 3.346 inch

Mechanical data

Type of mounting	DIN-35 rail
Housing design	Mounting carrier

Material Data

Fire load	0 MJ
Weight	70 g

Environmental Requirements

Surrounding air (operating) temperature	-20 ... 85 °C
---	---------------

Commercial data

Product Group	6 (Interface Electronics)
---------------	---------------------------



Country of origin	DE
GTIN	4045454830038
Customs Tariff No.	85369010000

Downloads

Documentation

Bid Text

289-965	Mar 9, 2016	doc	Download
RJ-45-Anschlussmodul für Stromsensormodule		25.6 kB	

Additional Information

Disposal; Electrical and electronic equipment, Packaging	V 1.0.0	pdf	Download
		265.8 kB	

CAD/CAE - Smart Data

CAD data

3D Download 289-965	URL	Download
---------------------	-----	----------

Subject to changes.